



ACM-4000/ACM-4001



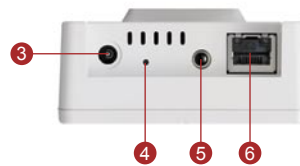
* The bracket is included.

- 1/3" Micron Progressive Scan CMOS
- Bundled with f4.2mm / F1.8 fixed lens
- 0.5 Lux at F1.0
- Shutter Speed, White Balance, Exposure , Gain Controls supported
- Selectable MPEG-4 / MJPEG compression
- VGA resolution at 30 FPS
- Multi-stream with variable frame rate in the same compression
- Two-way audio supported
- Hardware motion detection
- DC 12V or Power over Ethernet (IEEE 802.3af) supported (ACM-4001)



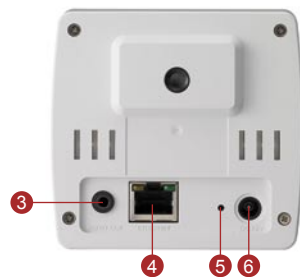
- 1 Power LED Indicator
- 2 Built-in Microphone

ACM-4000



- 3 DC 3.3 V Power Input
- 4 Reset Button
- 5 Audio Output
- 6 Ethernet Port

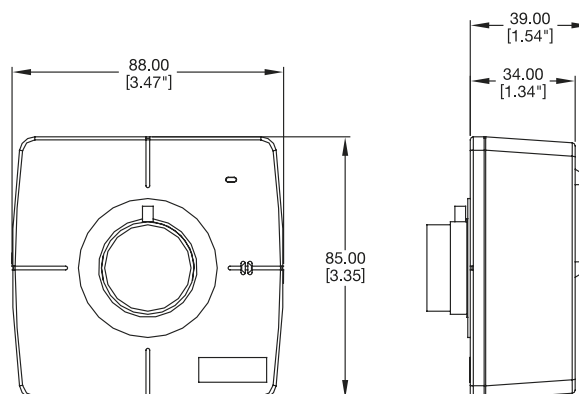
ACM-4001



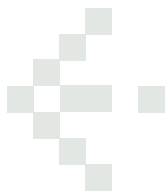
- 3 Audio Output
- 4 Ethernet Port
- 5 Reset Button
- 6 DC 12 V Power Input

DIMENSION DIAGRAM

ACM-4000/4001



Unit: mm [inch]



ACM-4000/ACM-4001

PRODUCT SPECIFICATION

		ACM-4000	ACM-4001
Image	Device	Micron Progressive Scan CMOS	
	Size	1/3 inch	
	Effective Pixels	640 x 480	
Min. scene Illumination	Color	0.5 Lux at F1.0 (2400 °K, 30 IRE)	
	Lens	f4.2 mm / F1.8	
Lens	Viewing Angle	75° (Horizontal)	
	Synchronization	Internal	
Functions	Motion Detection	Yes (3 windows)	
	Electronic shutter	1/5 ~ 1/2,000 sec. (60Hz) 1/5 ~ 1/2,000 sec. (50Hz)	
	Flickerless	1/120 sec. (60Hz) 1/100 sec. (50Hz)	
	BLC	Yes	
	AGC	Automatic (User defined)	
	White Balance	6 modes (AUTO,INDOOR1,INDOOR2,OUTDOOR1,OUTDOOR2, HOLD CURRENT,MANUAL) configurable	
S/N Ratio	S/N Ratio	Better than 44 dB	
Video Compression	Compression	MPEG-4 SP / MJPEG selectable	
	Picture Resolution	VGA (640 x 480) QVGA(320 x 240) QQVGA(160 x 112)	
	Image Frame Rate	30 fps at VGA resolution	
	Compression	8kHz, Mono, PCM	
Audio Input	Built-in Microphone	Sensitivity: -36±3dB(0dB=1V/Pa); S/N Ratio: more than 58 dB; Directivity: Omni-directional	
	Audio Output	Compression	8kHz, Mono, PCM
External I/O	Audio Line Output	Unbalanced, 1.4Vp-p, 1Vrms, 3.5mm Phone Jack	
	Reset Button	Factory default	
Network	LED	System status	
	Ethernet	Ethernet(10/100 Base-T), RJ-45 Connector	
	Protocol	TCP, UDP, IP, HTTP, DHCP, PPPoE, RTP, RTSP,FTP,SMTP,DNS,DDNS,NTP,ICMP,IGMP,ARP,3GPP	
Software	Web Browser	Microsoft Internet Explorer 6.0 or above	
	SDK	ACTi SDK-10000	
	Security	Password protection: configured by the administrator	
Operating	Temperature	0 °C ~ 40 °C (32 °F ~ 104 °F)	
	Power Requirement	DC 3.3 V ± 10 %	PoE (IEEE 802.3af) with Class 3
Power	Power Consumption	2.4 W	2.88 W (DC 12V), 3.00 W (PoE)
	Physical	Dimensions (WxHxD)	88 mm x 85 mm x 39 mm (3.47" x 3.35" x 1.54")
Weight		150 g (0.33 lb) (w/o bracket)	

ORDERING INFORMATION

Model Name	DC12V/PoE
ACM-4000	
ACM-4001	V

ACCESSORY OPTIONS

- Lens, f2.4 ~ 6mm F1.2, CS mount, Format 1/3" LEN-201
- Lens, f2.8 ~ 12mm F1.6, CS mount, Format 1/3" LEN-205

Bundled Accessory



- Max. Load: 1.5 kg
- Material / Color: ABS PLASTIC / Grey
- Dimension (H x D): 115 mm x 80 mm
- Swivel Angle: 360°
- Tilt Angle: 90°