

# UNIVERSAL WALL MOUNT

PAYMENT TERMINAL MOUNTS



HAT  
DESIGN WORKS™  
HUMAN ACTIVE TECHNOLOGY

# MOUNT YOUR TECHNOLOGY EXACTLY WHERE YOU NEED IT.

HAT's payment terminal wall mounts are designed and engineered to withstand heavy-use environments.



The PTS-WM-UNIV supports a variety of payment devices.

## FEATURES

- **Fast:** A simple installation process makes setup fast and easy.
- **Adjustable:** Easily adjust tilt and rotation to create a comfortable viewing angle.
- **Aesthetic:** Clean, compact design conveys a quality image.
- **Secure:** Protects your IT investment by securing your technology to the wall.
- **Durable:** Sturdy construction stands up to heavy use.
- **Customizable:** Extend the wall mount with available 4", 8" or 12" articulating extension arms; they can also be combined to create the desired reach.

## SPECIFICATIONS

### Finishes

 Vista Black  
104

### Dimensions

Rotation: Up to 180° \*

Tilt: Up to 180° \*

### Part Numbers

PTS-WM-UNIV-104

### Accessories

MNEA10-04B (4" Extension Arm)

MNEA10-08B (8" Extension Arm)

MNEA10-12B (12" Extension Arm)



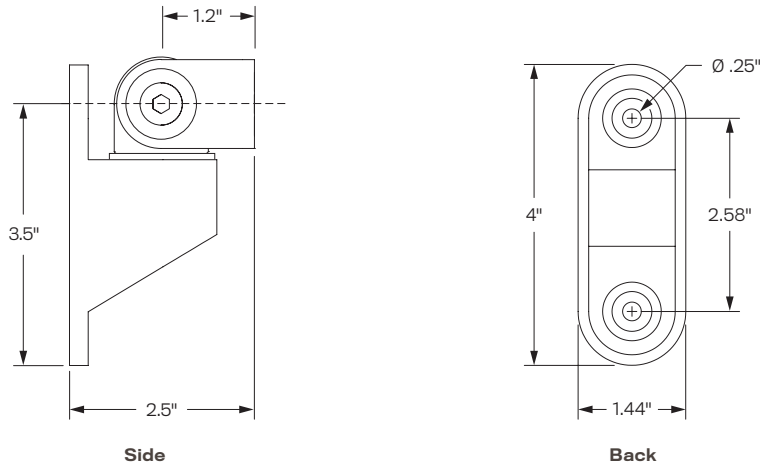
Increase flexibility by combining the wall mount with our optional extension arms

## WARRANTY

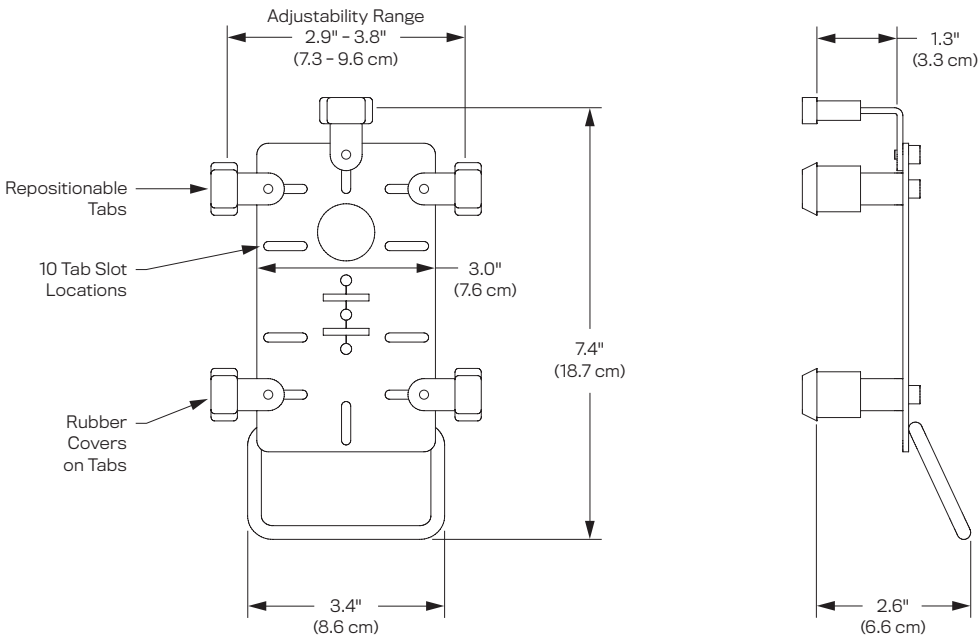
10 Years

CAPABILITIES

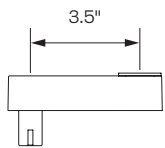
Mount



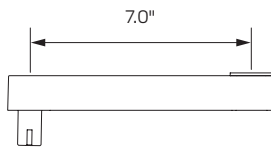
Universal Adapter



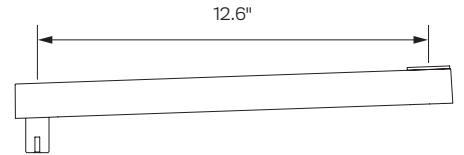
Accessories



4" Extension Arm  
MNEA10-04B



8" Extension Arm  
MNEA10-04B



12" Extension Arm  
MNEA10-12B