



Heavy Duty Cash Drawer

This 16 x 16 inch narrow-footprint drawer has a full sized till with innovative springless bill weights, making it the perfect choice for minimal space and maximal performance. The bill weights have the dynamic snap back expected of a heavy duty unit, without the vulnerable springs of other tills.

This high volume cash drawer has extended steel ball-bearing slides with 30 bearings a side, and is proven beyond 4 million cycles. The small footprint and thick gauge cold-rolled steel case with black powder coat finish make this a sleek, durable, and efficient cash drawer for the heaviest of retail or restaurant environs. Interface compatible with all POS-X hardware, Epson, Citizen, Ithaca and Star among others.



Key Features

- 5 adjustable bill and coin slots
- Available in black 16"
- Interchangeable interface cables
- Heavy duty bill weights
- Shatter-proof ABS drawer
- 5-year warranty with 2-day Advance Exchange service

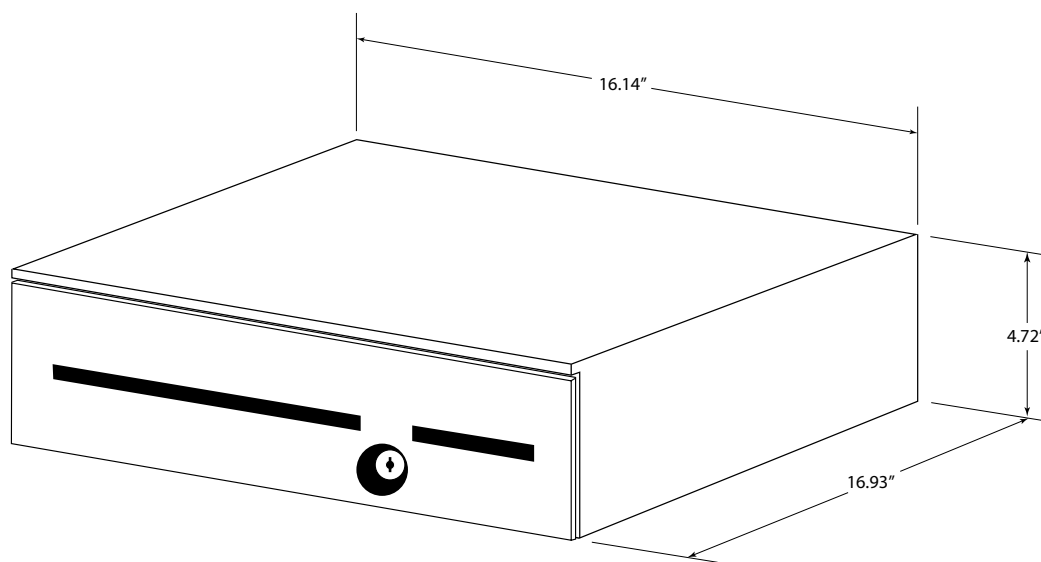
cash drawer

EVO Heavy Duty Cash Drawer Series Specifications

PART NUMBER	EVO-C16H-1
Physical	
Dimensions	16.14" W x 16.93" D x 4.72" H (without feet)
Weight	23 lb
Construction	Steel Case/Shatter-resistant ABS plastic drawer
Color	Black
Drawer slides	Ball-bearing rollers
Drawer	
Storage	13 1/2" W x 12" D interior storage compartments for coins, bills, checks, etc.
Currency Layout	Adjustable dividers for up to 5 coin/bill compartments
Media Slots	2
Operation	
Lock	3-Position Key Lock
Interface	SDL/RJ12 Receipt Printer
Solenoid	4,000,000+ cycles
Micro Switch	Open by driver signal to the solenoid
WARRANTY	5-year includes 2-Day Advance Exchange Warranty service

PRINTER INTERFACE CABLES	
EVO-CD-EPC	POS-X, Epson, and Citizen
EVO-CD-STA	Star
EVO-CD-ITH	Ithaca
EVO-CD-USB	USB Cash Drawer Adapter
EVO-CD-SPLITTER	Splitter Cable

ACCESSORIES	
EVO-CD-KEY	EVO Cash Drawer spare key



EVO-C16H