



barcode scanner

# ION Short Range Barcode Scanner

The ION Short Range is a member of the cost-effective, high performance ION Series. This barcode scanner is designed to provide an exceptional decoding solution at an extreme low-cost. The ION Short Range scans most popular barcode symbologies and has a rugged design with no moving parts to withstand daily use. Engineered to be extremely lightweight with a low profile, the ION Short Range is the clear choice for the budget-minded consumer.

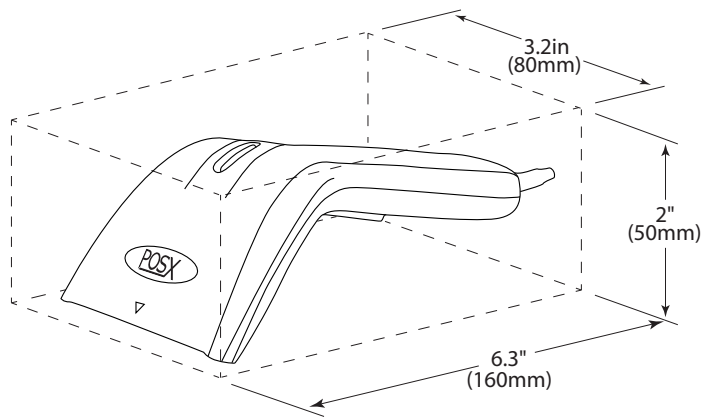


### Key Features

- Extreme low-cost
- Great entry level scanner
- Reads up to 200 scans/second
- Reading distance: From 0" to 4"
- 3-Year Warranty includes 2-Day Advance Exchange Service

## ION Short Range Specifications

<b>PART NUMBER</b>	ION-SE1-ACU
<b>PERFORMANCE</b>	
Light Source	Red LED 660 nm
Visual Indicators	Blue LED = decoding successful
System Interface	USB
Typical Depth of Field	0" to 1.2" (30mm) PCS90% Code 39
Resolution	4 mil
Scanning Angle	45°
Scan Range	0"-4"
Print Contrast	Minumum 45% contrast
Ambient Light Rejection	1000 lux-5000 lux
<b>FEATURES</b>	
Supported Symbologies	Code 39, Full ASCII Code 39, Code 32, Code 128, Code 93, Code 11, Codabar/NW7, All UPC/EAN/JAN code(EAN-13, EAN-8, UPC-A, UPC-E, EAN-128), Interleave 2 of 5, STD 2 of 5, Industrial 2 of 5, matrix 2 of 5,Chinese Postage Code, IATA, MSI/PLESSY,Italian Pharmacy Code, Telepen. GS1 databar
Programmable Features	Prefix Code, Length Code, Barcode Type, ISBN/ISSN/CLSI/UK Plessey Conversion, Scanning Mode, Time Out, Baud Rate
<b>PHYSICAL</b>	
Weight	0.2 lb (70g w/o cable)
Housing	ABS
Dimensions	6.3"(160mm)(L)x 3.2"(80mm)(W)x 2"(50 mm)(H)
Color	Black
<b>ELECTRICAL</b>	5 DC ± 5%(input)
<b>CURRENT</b>	100-120mA
<b>ENVIRONMENTAL</b>	
Temperature	32°- 122°F (0°C to 50°C) (operating)/-15°- 140°F (-26°C to 60°C) (storage)
Humidity	10% - 90% relative humidity, non-condensing
Shock Resistance	Withstands multiple drops from 5' (1.5 m)
<b>WARRANTY</b>	3-Year Includes 2-Day Advance Replacement Service
<b>CERTIFICATIONS</b>	FCC Class-A, CE, RoHS



<b>ACCESSORIES</b>	
ZWE-BMP	2-Year Warranty Extension
ZOE-BMP3	3-Year Overnight Extension
ZOE-BMP5	5-Year Overnight Extension