

2D Desktop Barcode Scanner NBS-8202S



1D / 2D



Mobile payment



Auto



Plug and play



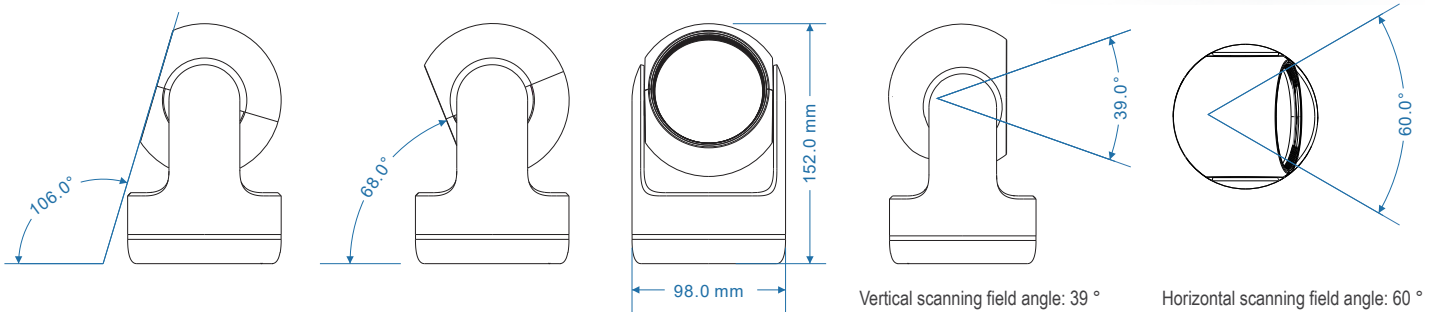
32-bit



1280x800Pixel

GENERAL FEATURES

- Soft indicator light gives a better sense of experience
- Ultra-wide scanning angle and ultra-far scanning distance
- 100% self-independent technology, support online upgrade
- Compatible with Linux, Android, Windows XP/7/8/10/MAC OS
- Suitable for retail stores, supermarkets, healthcare system, etc
- Adjustable volume to meet different environmental requirements

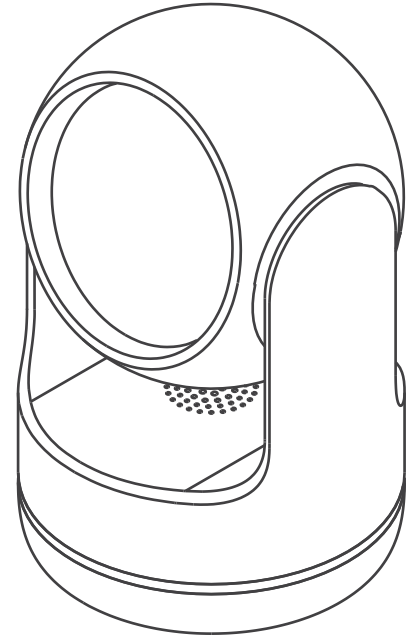


NBS-8202S

SPECIFICATIONS

Performance Parameter

Light Source	Red LED (Lighting) Color Temperature 650nm LED
CPU	32-bit Processor
Scan Mode	Continuous Scan
Image Size	1280x800 Pixel
Scanning Speed	60 fps/s
Mobile Tolerance	1.5m/s
Mnimum Resolution	>3mil
Scanning Direction	Omnidirectional
Scanning Angle	Deflection 360° Inclination ± 65° Rotation ± 60°
Decoding Depth	5~280mm@(13mil UPC/EAN 100%,PCS=90%)
Decoding Capability	1D: Codabar, Code11, Code39, Code32, Interleaved 2 of 5, Industrial 2 of 5, Matrix 2 of 5, Code93, Code128, GS1-128, UPC-A, UPC-E, EAN 8, EAN 13, GS1 DataBar(RSS14), GS1 DataBar Limited, GS1 DataBar Expanded, etc 2D: PDF417, Micro PDF417, QR Code, Micro QR, Data Matrix, Aztec Code



Other Parameters

Size	L × W × H: 98×98×152(mm)
Weight	350g(Including cable)
Case Material	ABS+PC
Input Voltage	DC 5V
Working Current	<450mA
Stand-by Current	<236mA
Indicator	Tone and Volume adjustable
Interface	USB-HID, RS-232, USB-VCP
Cable	Straight 1.8m
Temperature(Operating)	-10°C ~ 50°C
Humidity	5% to 95% (non-condensing)
Temperature(Storage)	-20°C ~ 60°C
Light Leverls	0~5000Lux (fluorescence), 0~100,000 Lux (sunlight)

The Depth Of Field Performance

Barcode category	Minimum(mm)	Maximum(mm)
CODE 39 4mil	5	170
CODE 39 8mil	5	250
CODE 39 13mil	25	310
CODE 39 20mil	45	350
EAN 13 4mil	5	130
EAN 13 8mil	5	210
EAN 13 13mil	5	280
EAN 13 20mil	10	320
CODE 128 4mil	5	130
CODE 128 8mil	5	220
CODE 128 13mil	5	290
CODE 128 20mil	10	330
Wechat payment code	20	520
Alipay payment code	20	520



Republic of Korea [Head Office/R&D Center]
28-6, Gajangsaneopdong-ro, Osan-si, Gyeonggi-do, 18103,
Republic of Korea

T. +82-31-8077-5000 / F. +82-31-624-5310
E. sales@miniprinter.com

USA, Inc.
Torrance, CA 90502, USA
T. +1-310-617-7401
E. NA_Sales@miniprinter.com

México Office
Cuauhtémoc, D.F. Mexico. CP 06500
T. +52-1-55-3232-9543
M.+52-1-55-143893
E. LA_sales@miniprinter.com

